

NOZZLES AND INSULATORS



To place an order:

- Send Tevac a Drawing or
- Send Tevac a Sample or
- Supply Tevac with a part number.

Custom

- DESIGN
- COATING
- MATERIALS

TEVAC NOZZLE TIPS

Tevac Nozzle Tips are for new and replacement applications.

TEVAC INSULATORS

Tevac's Insulators are for new or replacement applications. Tevac will custom design and manufacture Insulators to fit your application.

Our quality and tolerance will meet or exceed your expectations.

Tevac will custom design and manufacture to fit your application.

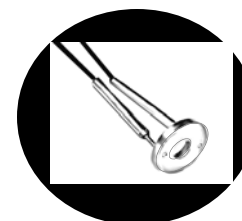
TEVAC NOZZLE HOUSINGS

Custom Housings available to your specification.

NOZZLE HOUSINGS



Also Available:
Coil Heaters
Hot Runner Thermocouples



GENERAL PURPOSE & PVC NOZZLES

TEVAC NOZZLE TIPS
REPLACEMENT OEM TYPE NOZZLE TIPS

TEVAC INJECTION BLOW NOZZLES



STANDARD TIP CONFIGURATION



CUSTOM TIP CONFIGURATION AVAILABLE

Tevac's Injection Blow Nozzles are made to the highest standards. Our Injection Blow Nozzles are offered in various tips, lengths, and body diameters. Tevac uses a variety of materials and coatings to meet the needs of each individual customer.

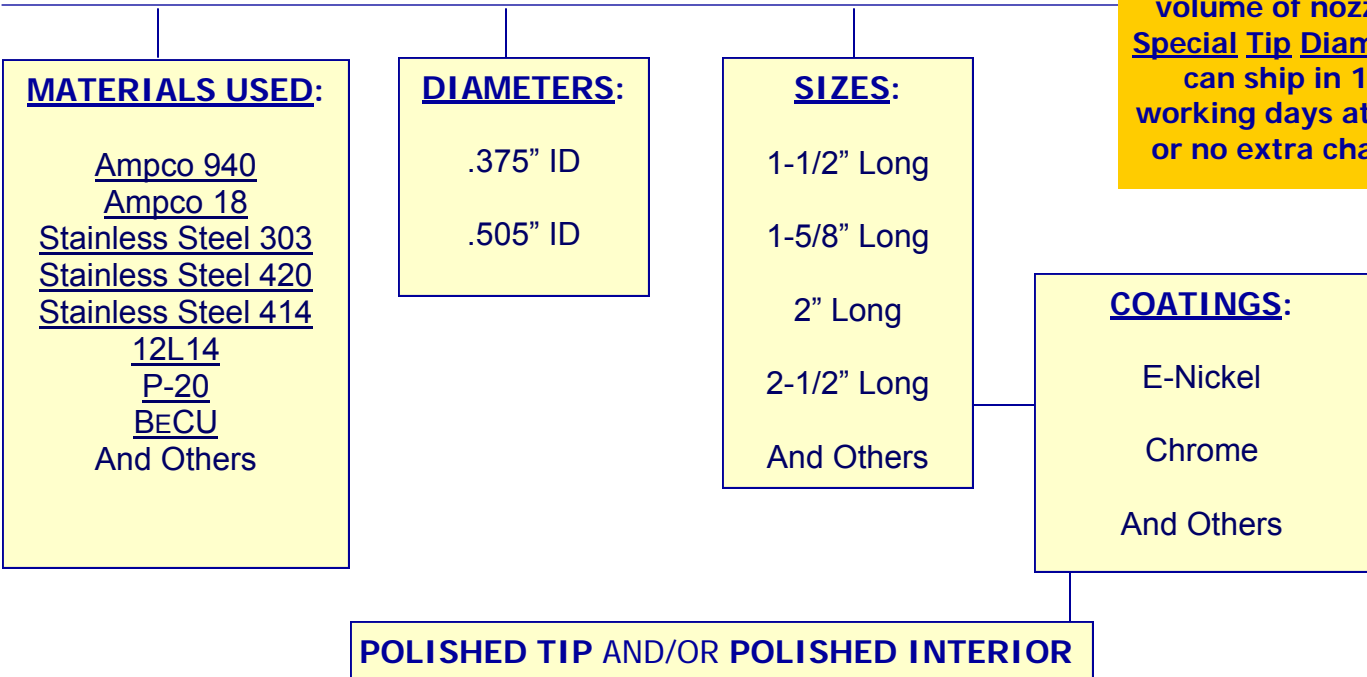


CROSS-SECTION OF A GENERAL PURPOSE NOZZLE



CROSS-SECTION OF A PVC NOZZLE

SPECIAL TIP DIAMETER
1-3 Working Days!!
With our increased volume of nozzles, **Special Tip Diameters** can ship in 1-3 working days at little or no extra charge.

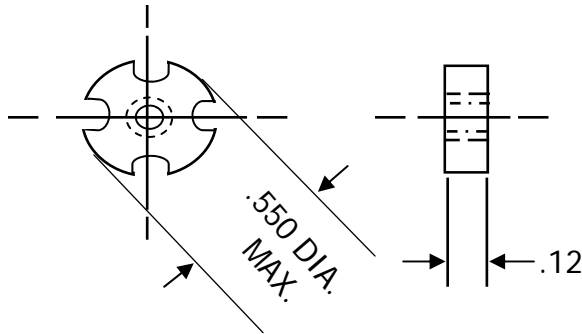


See our **Star, Hex and Springs** page!
Call for information on **Nozzle Retainers!**



**TEVAC
STAR NUTS**

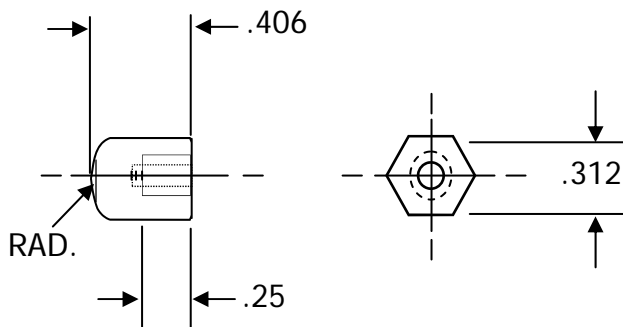
STAR-NUTS



Tevac Part Number	Description
NZ-STAR-0540	#5 - 40 THREAD
NZ-STAR-0832	#8 - 32 THREAD
NZ-STAR-1024	#10 - 24 THREAD
NZ-STAR-1032	#10 - 32 THREAD

**TEVAC
HEX NUTS**

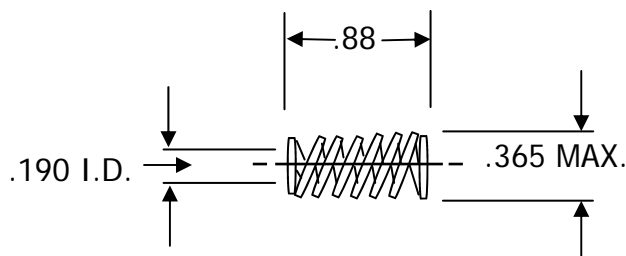
HEX-NUTS



Tevac Part Number	Description
NZ-HEX-0540	#5 - 40 THREAD
NZ-HEX-0832	#8 - 32 THREAD
NZ-HEX-1024	#10 - 24 THREAD
NZ-HEX-1032	#10 - 32 THREAD

**TEVAC
SPRINGS**

SPRINGS

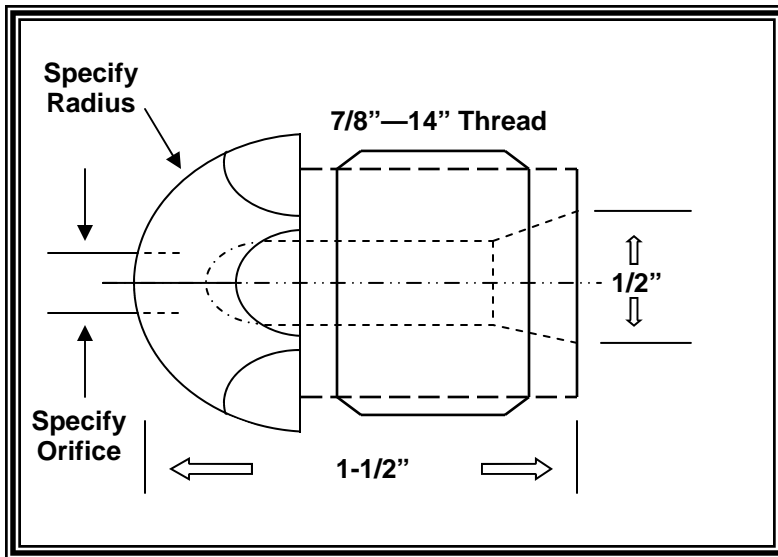


Tevac Part Number	Description
NZ-SPG-041	.041 WIRE DIA.
NZ-SPG-051	.051 WIRE DIA.





TEVAC NOZZLE TIPS
GENERAL PURPOSE
REPLACEABLE
1/2" Radius
3/4" Radius



-
- Material: 4150
 - Thread: 7/8"-14"
 - Hardness: Rc 32
-
- Inside Finish: 16 microns

1/2" Radius

Tevac Part Number	Radius	Orifice
NT-R-50-116-Z	1/2"	1/16"
NT-R-50-332-Z	1/2"	3/32"
NT-R-50-18-Z	1/2"	1/8"
NT-R-50-316-Z	1/2"	3/16"
NT-R-50-14-Z	1/2"	1/4"
NT-R-50-516-Z	1/2"	5/16"
NT-R-50-38-Z	1/2"	3/8"
NT-R-50-12-Z	1/2"	1/2"

3/4" Radius

Tevac Part Number	Radius	Orifice
NT-R-75-116-Z	3/4"	1/16"
NT-R-75-332-Z	3/4"	3/32"
NT-R-75-18-Z	3/4"	1/8"
NT-R-75-316-Z	3/4"	3/16"
NT-R-75-14-Z	3/4"	1/4"
NT-R-75-516-Z	3/4"	5/16"
NT-R-75-38-Z	3/4"	3/8"
NT-R-75-12-Z	3/4"	1/2"



CALL FOR MORE INFORMATION!!

SUPERIOR QUALITY ! * CALL FOR A QUOTE !