

DME STYLE CABLES - CORD TYPE

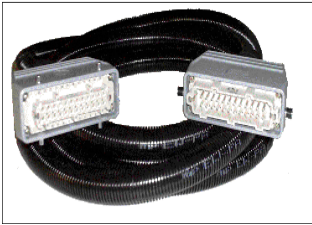
Cables for 15 AMP Applications			
# OF ZONES	DESCRIPTION	10' TEVAC PART #	20' TEVAC PART #
5	15A POWER CABLE	TBPC15-5-L10	TBPC-15-5-L20
8	15A POWER CABLE	TBPC15-8-L10	TBPC-15-8-L20
12	15A POWER CABLE	TBPC15-12-L10	TBPC-15-12-L20
5	THERMOCOUPLE CABLE*	TBTC15-5-L10	TBTC-15-5-L20
8	THERMOCOUPLE CABLE*	TBTC15-8-L10	TBTC-15-8-L20
12	THERMOCOUPLE CABLE*	TBTC15-12-L10	TBTC-15-12-L20
Cables for 30 AMP Applications			
2	30A POWER CABLE	TBPC30-2-L10	TBPC30-2-L20
3	30A POWER CABLE	TBPC30-3-L10	TBPC30-3-L20
5	30A POWER CABLE	TBPC30-5-L10	TBPC30-5-L20

* USE THERMOCOUPLE CABLES FOR 15 & 30 AMP APPLICATIONS



THERMOCOUPLE CABLES **POWER CABLES** **HIGH POWER CABLES**

**TEVAC
HOT RUNNER CABLES**



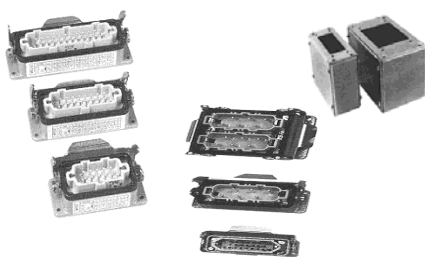
*Solve wiring problems
and eliminate
down time with
High Quality Cables!*

Conduit Type Cables Available !!

TERMINAL MOUNTING BOXES FOR MOLD POWER INPUT CONNECTORS				
PART #	AMPS	ZONES	"X"	"Y"
TBP-15	15	ALL	4.25	4.88
TBP-30-2/3	30	2/3	4.99	5.61
TBP-30-5	30	5	6.05	6.68

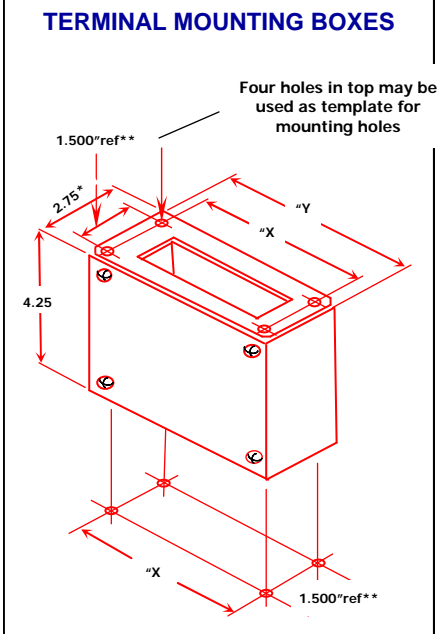
TERMINAL MOUNTING BOXES FOR MOLD THERMOCOUPLE CONNECTORS			
PART #	ZONES	"X"	"Y"
TBTC-5	5	4.25	4.88
TBTC-8	8	4.99	5.61
TBTC-12	12	6.05	6.68

**TEVAC
TERMINAL MOUNTING
BOXES CONNECTORS**



MOLD T/C CONNECTORS	
PART #	ZONES
TMCC-5	5
TMCC-8	8
TMCC-12	12

MOLD POWER INPUT CONNECTORS		
PART #	ZONES	AMPS
TMPC15-5	5	15
TMPC15-8	8	15
TMPC15-12	12	15
TMPC30-2	2/3	30
TMPC30-5	5	30



COMBINATION TERMINAL MOUNTING BOXES FOR MOLD POWER INPUT & THERMOCOUPLE CONNECTORS				
PART #	AMPS	ZONES	"X"	"Y"
TBC-15-5	15	5	8.03	8.66
TBC-15-8	15	8	8.84	9.47
TBC-15-12	15	12	9.91	10.53
TBC-30-2/3	30	2/3	9.91	10.53
TBC-30-5	30	5	10.44	11.06

Referenced dimensions on Part #s TBP-30-5, TBC-30-5:
*2.75 will be 4.46 **1.50 will be 3.25