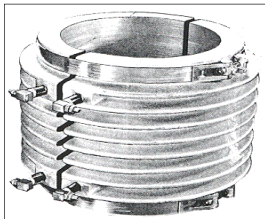
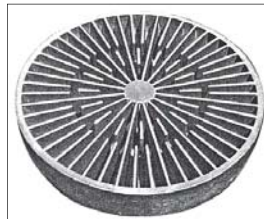


Cylindrical Heat & Heat/Cool  
For Extrusion Machines



Finned for Air Cool  
Extrusion Machines



Special for Your  
Heating Requirements

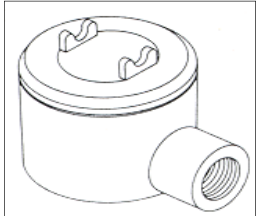
HOLES, CUTOUTS AND  
THERMOWELLS AVAILABLE.

JUST SPECIFY SIZE AND LOCATION.

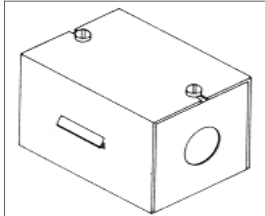
CUSTOMIZED TO YOUR APPLICATION.



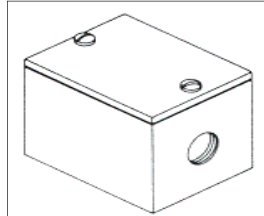
**Protective Housing Options**



Explosion Proof Box  
**OPTION 1**

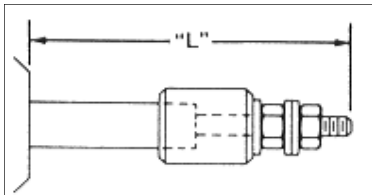


Sheet Metal Box  
**OPTION 2**



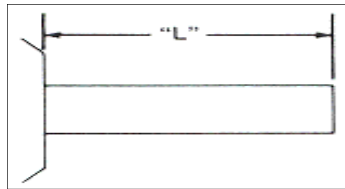
Cast In Box  
**OPTION 3**

**Electrical Termination**

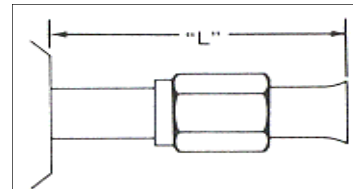


**ET TYPE 1**  
Ceramic Insulated  
10-32 Screw Terminal  
(Other Types Available)

**Cooling Tube Terminations**



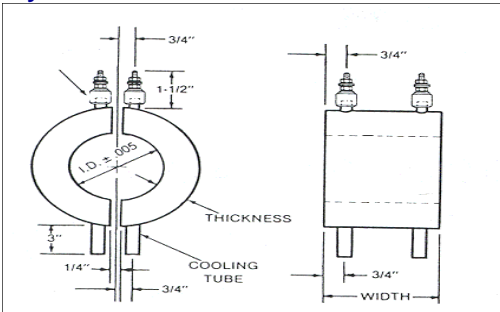
**CT TYPE 1**  
Plain



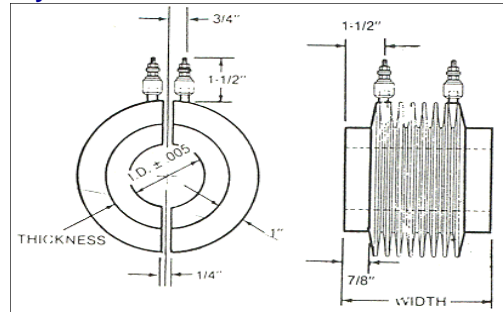
**CT TYPE 2**  
37° Flare Nut Fitting

(OTHER TYPES AVAILABLE)

**Cylindrical Heat & Cool**



**Cylindrical Heat with Fins**



**TO PLACE AN ORDER, PLEASE SPECIFY:**

- **CAST DESIGN.** PLEASE SUPPLY A COMPLETE DRAWING WHICH SHOWS ALL DIMENSIONS AND CRITICAL TOLERANCES. ALSO, **INCLUDE SIZE AND LOCATION OF ANY HOLES, CUTOUTS OR THERMOWELLS.** REFER TO REFERENCE DIMENSIONS AND SPECIFICATIONS ABOVE.
- **EXIT LOCATIONS** OF HEATER ELEMENT AND COOLING TUBE (IF REQUIRED)
- **ELECTRICAL TERMINATIONS AND HOUSINGS;** TYPE S IS STANDARD
- WATTAGE AND VOLTAGE RATINGS
- ALUMINUM OR BRONZE
- QUANTITY