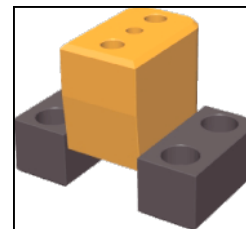


TEVAC GUIDE LOCKS



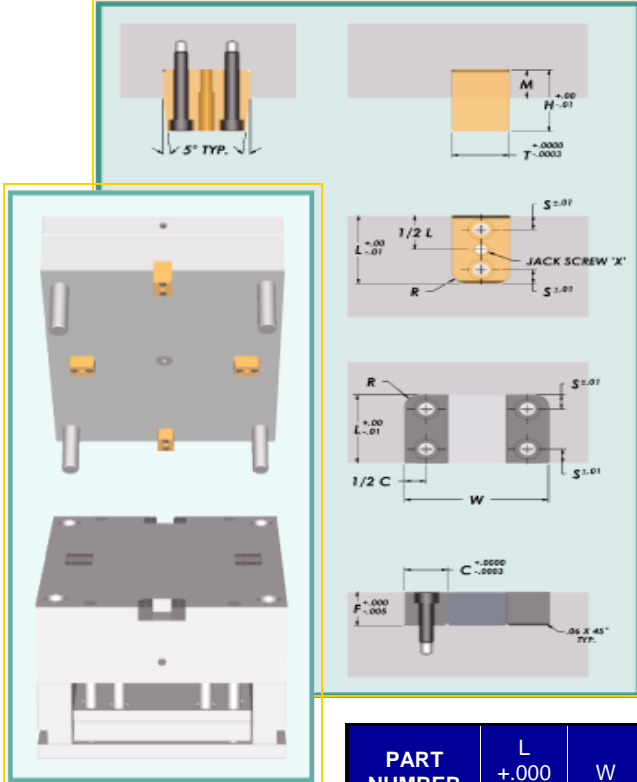
TEVAC'S Guide Locks provide positive guidance between cavities and cores and will not bind due to unequal thermal expansion of the mold halves. The three-piece design allows for easy installation and fitting of inserts.

Each set consists of one male insert, two female inserts, and six socket head cap screws.

Materials and Treatments:

Female: AISI 1045 (60-62 Rc)
Black Oxide Finish

Male: AISI D2 (58-60 Rc)
Titanium Nitride Coated (78-80 Rc)

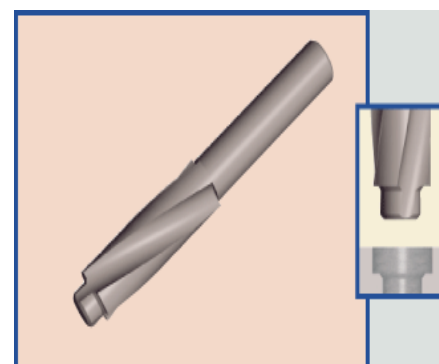


PART NUMBER	L +0.000 -0.010	W	C +0.0000 -0.0003	F +0.000 -0.005	T +0.0000 -0.0003	M	H +0.00 -0.01	S ±0.01	R Pocket Radius	SHCS	
										Male	Female
GL-1.0	1.000	1.500	.500	.500	.500	.375	.85	.25	.187	#10-32x5/8"	#10-32x1"
GL-1.5	1.500	2.500	.750	.750	1.000	.625	1.35	.31	.250	1/4-20x7/8"	1/4-20x1-1/2"
GL-2.0	2.000	3.500	1.000	1.000	1.500	.750	1.73	.44	.375	3/8-16x1-1/4"	3/8-16x2"
GL-2.5	2.500	4.500	1.250	1.250	2.000	.875	2.10	.56	.500	1/2-13x1-1/2"	1/2-13x2-1/4"

PART NO.	EJ. PIN DIAM.	C'BORE BODY DIAM.	PILOT LENGTH	SHANK DIAM.	OVERALL LENGTH
CB-6	*1/8	17/64	3/16	1/4	2-5/8
CB-7	9/64	17/64	3/16	1/4	2-5/8
CB-8	5/32	19/64	3/16	1/4	2-3/4
CB-9	11/64	23/64	3/16	1/4	3-1/16
CB-10	3/16	25/64	3/16	3/8	3-1/4
CB-11	13/64	25/64	3/16	3/8	3-1/4
CB-12	7/32	27/64	1/4	3/8	3-3/8
CB-13	15/64	27/64	1/4	3/8	3-3/8
CB-14	1/4	29/64	1/4	7/16	3-9/16
CB-15	17/64	29/64	1/4	7/16	3-9/16
CB-16	9/32	29/64	1/4	7/16	3-9/16
CB-17	19/64	33/64	5/16	1/2	3-7/8
CB-18	5/16	33/64	5/16	1/2	3-7/8
CB-19	21/64	37/64	5/16	1/2	4-1/8

PART NO.	EJ. PIN DIAM.	C'BORE BODY DIAM.	PILOT LENGTH	SHANK DIAM.	OVERALL LENGTH
CB-20	11/32	37/64	5/16	1/2	4-1/8
CB-21	23/64	41/64	5/16	5/8	4-1/2
CB-22	3/8	41/64	5/16	5/8	4-1/2
CB-23	13/32	45/64	5/16	5/8	4-3/4
CB-24	7/16	45/64	5/16	5/8	4-3/4
CB-25	15/32	49/64	5/16	5/8	5-1/8
CB-26	1/2	49/64	5/16	5/8	5-1/8
CB-27	9/16	53/64	5/16	5/8	5-3/8
CB-28	5/8	57/64	5/16	5/8	5-5/8
CB-29	11/16	61/64	5/16	5/8	5-7/8
CB-30	3/4	1-1/64	5/16	5/8	6-1/4
CB-31	7/8	1-9/64	5/16	3/4	6-1/4
CB-32	1"	1-17/64	5/16	3/4	6-1/4

TEVAC COUNTERBORES



TEVAC'S "Ejector Pin" Counterbores are made from the finest quality High Speed Steel available. They are ground from solid pre-hardened steel to exact tolerances and specifications. The three flute design gives rigid performance and maximum chip clearance. A built-in chamber allows clearance for the radius under the ejector pin head and provides proper seating of the pin. Simply drill your retainer plate the diameter of your ejector pin, then select the counterbore with the same catalog number as TEVAC'S ejector pin and counterbore to proper depth.

COUNTERBORE SET

Counterbores are available in a set of 7 of the most popular sizes (1/8, 5/32, 3/16, 1/4, 5/16, 3/8, 1/2) at additional savings.
Supplied with wooden bench block.

PART #: CB-SET

Example:

For a P-14 ejector pin use a CB14 counterbore.

NOTE:

Metric Ejector Pin Counterbores are also available

**For Diameters less than 1/8,
use Counterbore CB-6**