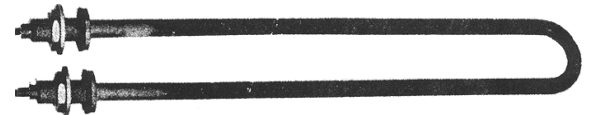
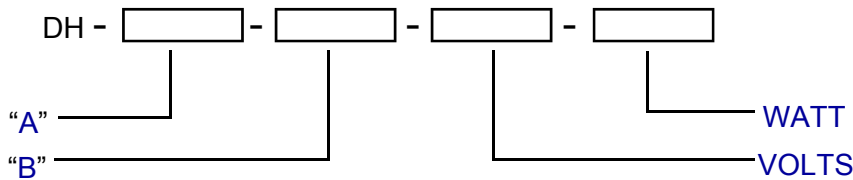


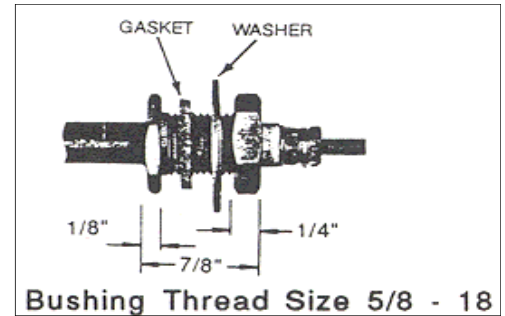
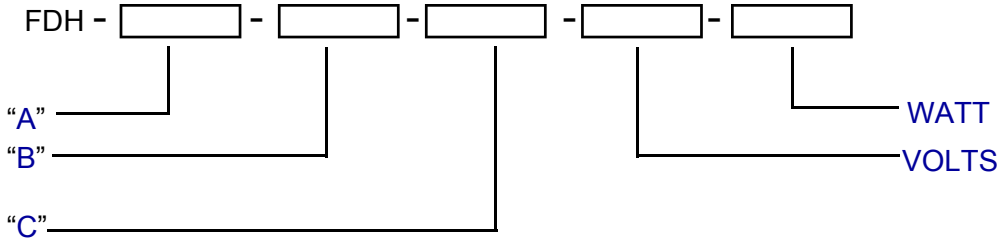
TEVAC Part Number:



Tube Diameter = .475
(other Diam. Available)

Tube Diameter = .475
(other Diam. Available) Fin Diam. = 1.19
(other Diam. Available)

TEVAC Part Number:



Thinswitch® Limit Switch. Verify ejector plate return before closing the mold. Mount inside ejector housing and wire to machine controls. Use for core sliders or any place where space is limited.

**TEVAC THINSWITCH®
LIMIT SWITCH**

Features and Benefits

- Prevents costly mold damage
- Small size - 2.15" L x 1.5" W x 0.18" thick
 - Fits behind ejector plate
 - Requires only 2 screw holes
 - Very economical to install
- Ten million cycle mechanical life
 - Adjustable operating point
- Electrical capacity at 250V AC5 Amps Resistive, 4 Amps Inductive
 - SPDT
 - 6' wire leads stripped and tinned
- Optional high temperature model- up to 250 Degrees F.
 - U.S. Patent No. 5,446,252



Tevac's Thinswitch® Liquid-Resistant Limit Switch is designed to verify ejector plate return in areas where occasional water or oil spray is present. The Thinswitch® helps prevent accidental mold close in injection molding applications by providing a position switch that is tied to the injection molding machine control. The liquid resistant switch uses the same mounting hole locations as the original Thinswitch®. Two switches can be used in series for larger molds to ensure the ejector plate return, preventing costly mold damage.

**TEVAC THINSWITCH®
LIQUID-RESISTANT LIMIT SWITCH**

Features and Benefits

- Over 10 million cycle life
- 175F (79.4C) standard temperature rating
- 250F (121C) high temperature unit for higher temperature needs
- Adjustable actuation between .187" and .250" from the mold base.
- 3/16" thick design fits snugly behind the ejector plate between the rest buttons
 - Stripped and tinned 6 ft. wire leads
 - Mounting screws and wire clips included

**CALL FOR MORE
INFORMATION!!**

CALL FOR PRICE AND DELIVERY !