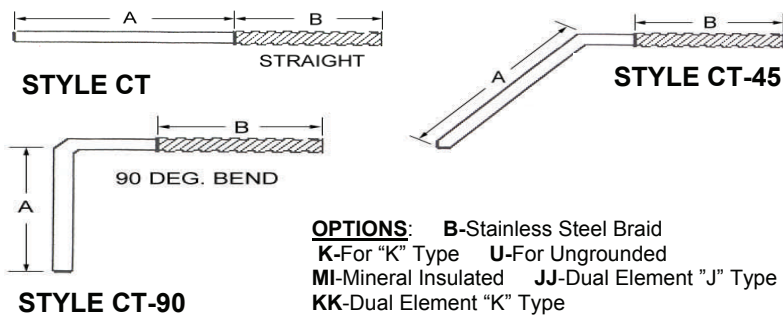


TEVAC COMPRESSION TYPE THERMOCOUPLES WITH & WITHOUT PLUG



"J" TYPE WITH SS HOSE—NO PLUG
Standard 3/16" Diameter

1/4" Diameter available - Specify**
1/8" Diameter available - Specify**

STYLE TYPE
CT
CT-45
CT-90

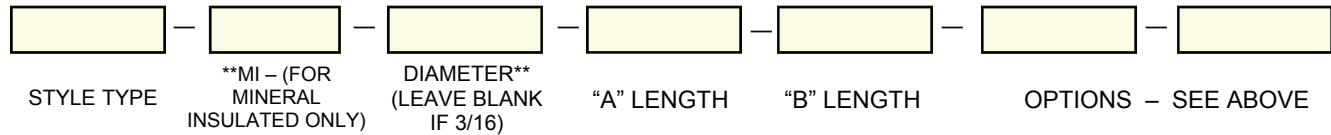
"J" TYPE WITH SS HOSE—with PLUG
Standard 3/16" Diameter

STYLE TYPE
CT-*
CT-45*
CT-90*

OPTIONS: B-Stainless Steel Braid
K-For "K" Type U-For Ungrounded
MI-Mineral Insulated JJ-Dual Element "J" Type
KK-Dual Element "K" Type

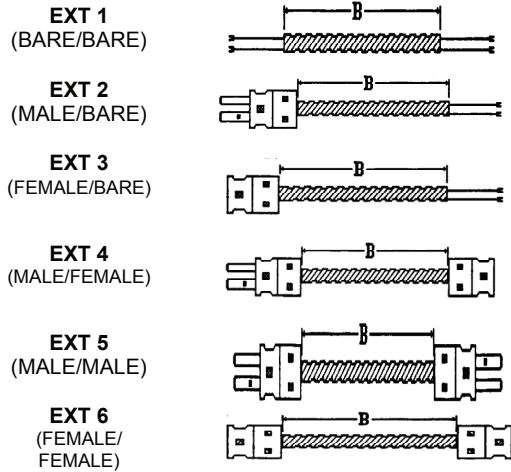
*ADD "P" TO OPTIONS BOX BELOW FOR MALE PLUG

TO ESTABLISH PART NUMBER:



EXAMPLE: Style CT-90* with Plug, with an "A" Length of 6" and a "B" Length of 60", "J" Type, Ungrounded would be: **CT-90-6-60-P-U**

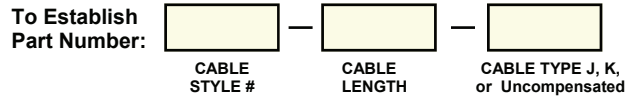
CABLE STYLE



STYLE #
EXT1
EXT2
EXT3
EXT4
EXT5
EXT6

TEVAC EXTENSION CABLES WITH FLEX

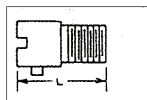
BASE PRICES FOR "J" TYPE ONLY & INCLUDE THE FIRST 48" OF HOSE
CALL FOR "K" OR "U" TYPE CABLE



EXAMPLE:
STYLE 5 WITH 72" HOSE, "J" TYPE. PART NO: **EXT5-72-J.**

BAYONET ADAPTORS: STAINLESS STEEL

PART NO.	LENGTH	THREAD
BA-78	7/8"	1/8-27" NPT
BA-78-3	7/8"	3/8-24 NF
BA-150	1-1/2"	1/8-27 NPT
BA-150-3	1-1/2"	3/8-24 NF
BA-200	2"	1/8" NPT
BA-250	2-1/2"	1/8-27NPT
BA-250-3	2-1/2"	3/8-24 NF
BA-350	3-1/2"	1/8-27NPT
BA-350-3	3-1/2"	3/8-24NF



COMPRESSION FITTINGS

Compression fittings slip over tip of thermocouple for mounting and sealing into vessels.

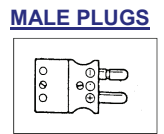


PART NO.	TUBE O.D.	THREAD	MATERIAL
CF-1	1/16"	1/8-27NPT	BRASS
CF-2	1/8"	1/8-27NPT	BRASS
CF-3	3/16"	1/8-27NPT	BRASS
CF-4	1/4"	1/4-18NPT	BRASS

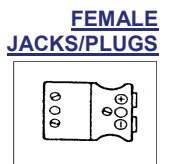


TEVAC THERMOCOUPLE & RTD'S WIRE AND ACCESSORIES

PART NO.	TYPE	COLOR
MP-1	J	Black
MP-1-K	K	Yellow
MP-1-U	U	White



PART NO.	TYPE	COLOR
FJ-2	J	Black
FJ-2-K	K	Yellow
FJ-2-U	U	White



THERMOCOUPLE WIRE

PART NO.	GAUGE	TYPE	WIRE	CONDUCTOR INSULATION	OUTSIDE COVERING
TW-1	20	J	STRANDED	Fiberglass Bd	Fiberglass Bd
TW-2	20	J	STRANDED	Fiberglass Bd	Stainless
TW-3	20	J	SOLID	Teflon	Teflon
TW-4	20	J	SOLID	Fiberglass Bd	Fiberglass Bd
TW-5	20	JX	SOLID	PVC	PVC
TW-6	20	J	STRANDED	Fiberglass (red/white)	None

MINIATURE T/C PLUGS & FEMALE JACKS

PART NO.	TYPE	DESCRIPTION
MMP-1	J	Mini Male Plug
MMP-1-K	K	Mini Male Plug
MFJ-2	J	Mini Female Jack
MFJ-2-K	K	Mini Female Jack

FEMALE JACK PANELS

PART NO.	TYPE	COLOR
FJP-2	J	Black
FJP-2-K	K	Yellow

